

ADKINS

ADKINS
HEAT PRESS TECHNOLOGY

OMEGA SERIES 1000



Operators Handbook

All products within the ADKINS range are labelled with CE marking and are manufactured and tested to comply with EC safety regulations.

©Charterhouse Holdings PLC. All rights reserved.

Preface

Dear User

Welcome to the growing group of Omega Series 1000 Press users. The product you have purchased has been carefully designed and manufactured to ensure that you, the user, will gain the maximum benefit.

All Charterhouse Holdings PLC products are specifically designed to ensure ease of use with particular attention to safety requirements.

Should you discover any fault or damage upon receipt of this product, you should immediately contact your supplier.

Contents

1.	Introduction Omega Series 1000 Press	1
1.1	What did you receive?	2
1.2	Specifications of the Omega Series 1000 Press	3
1.3	Safety	4
1.4	Safety tips	4
2.	Installation	6
2.1	Transport instructions	6
2.2	Installing the machine	6
2.3	Electrical requirements	6
2.4	Pneumatic requirements	7
2.5	Adjusting the pressure	7
3.	How to operate the Omega Series 1000 Press	8
3.1	Starting with the Omega Series 1000 Press	8
3.2	Working with heat transfer materials	8
3.3	Pressing pad assembly	9
3.4	Shutting down the machine	9
3.5	Fault diagnosis	9
3.6	Hints and tips	10
3.7	Heat Plate Temperature Measurement	11
4.	Maintenance of the Machine	12
4.1	Daily maintenance	12
4.2	Periodic maintenance	12
4.3	General maintenance	12
4.4	Cleaning	12
5.	Machine Drawings and Diagrams	13
5.1	General layout	14
5.2	Control unit operation	15
5.3	Exploded diagram and parts list	16
5.4	Machine - electrical diagram	17
5.5	Pneumatic schematic	18
6.	Design Change	19
7.	Guarantee	20
	Declaration of Conformity	21

1. Introduction Omega Series 1000 Press

The Omega Series 1000 Press is a pneumatically operated heat press for transfer printing and material fusing. It is ideal for high volume production with low operator fatigue.

The work areas of the Omega Series 1000 Press are 38 cm x 50 cm (*15 in x 20 in*) but machines may have special order, optional smaller sized interchangeable worktables of any size and various shapes within these table sizes.

The Omega Series 1000 Press has a heat plate which moves from one worktable to the other, enabling the operator to be actively pressing on one table while loading/ unloading the other table. After loading the work piece and with the correct settings for temperature pressure and dwell time, the cycle is started by simultaneously pressing the two green buttons on the front of the head within ½ second. The controller operates the timer and the solenoid valve and thus the pneumatic cylinder. When the set time elapses the table is automatically lifted, enabling the head to be swung away. The worktable may then be unloaded and reloaded ready for another cycle.

The Omega Series 1000 Press is produced in one version, nominally 230 Volts AC for the European market.

It is a simple operation to remove the worktable and replace it with one of a different size.

1.1 What did you receive?

The Omega Series 1000 Press has been placed in a packing case mould and banded onto a pallet, for safe transportation. The following articles should have been delivered:

- Omega Series 1000 Press complete with mains cable and plug
- Omega Series 1000 Press Operators Handbook
- Any extra items ordered

If there is any damage or any article is missing, please contact your supplier immediately.

1.2 Specifications of the Omega Series 1000 Press

The work areas of the Omega Series 1000 Press are 38 x 50 cm (15 x 20 in) but machines may have, to special order, optional smaller sized interchangeable worktables of any size and various shapes within this table size.

Specification

Power consumption	2.5 kW
Power supply	230 Volts AC
Maximum compressed air supply	6 bar (87 Psi)
Suggested compressed air supply	3.5 – 6 bar (50 – 87 Psi)
Compressed air consumption	60 litres/min
Recommended compressor tank capacity	50 litres
Working temperature	70 – 225°C (158°F-437°F)
Display Timer Range	0 – 999 sec
Machine height	74 cm (29 in)
Machine width	92 cm (36 in)
Machine depth	86 cm (33.8 in)
Work are required	122 (W) x 137 (H) x 86 (D) cm (48 (W) x 54 (H) x 33.8 (D) in)
Size export packed	110 (L) x 75 (W) x 95 (H) cm (43 (L) x 29.5 (W) x 37.5 (H) in)
Net weight	147 Kg (324 lbs.)
Weight export packed	182 Kg (401 lbs.)
Press pad dimensions (x2)	38 cm x 50 cm (15 in x 20 in)
Fuses (x2)	15A
A-weighted noise level	<70dB(A)

1.3 Safety

The Omega Series 1000 Press has been equipped with various safety features to ensure operator safety.

- a. **A thermal cut-out** on the heating element shuts off the power to the element if the temperature exceeds $235^{\circ}\text{C} \pm 15^{\circ}\text{C}$ ($455^{\circ}\text{F} \pm 27^{\circ}\text{F}$).
- b. **The time/temperature** controller has a built in facility giving error messages in the event of faults with the element heating and control system.
- c. **A two button** starting system ensures that the operator's hands are well away from the heat plate when the table rises.
- d. **Emergency stop button.**
- e. **The machine table** will only set to pressing position when the heat plate is aligned with it due to a magnetic switch safety interlock.
- f. **A Safety Arm** ensures the Heat Plate cannot move off the table until the pressing cycle is complete.
NB: The system air pressure must not be lower than 3.5 bar (50 Psi) for the safety arm to be effective.

1.4 Safety Tips

If required, our customer service team can arrange maintenance service.

- ◆ **The Omega Series 1000 Press** meets the European Legislation standard. Under normal conditions accidents are rare. However listed below are some practical points to ensure your safety.
 - **Always switch off** and isolate the mains supply (i.e. Remove plug) before undertaking any maintenance work or cleaning the machine, or when not in use.
 - **Keep other people** away from the machine during use.
 - **Ensure that there is** sufficient space around the machine. Cables and connections must not get jammed. Although the heat radiation of the press is low, there should be enough space for cooling down.
 - **Avoid contact** with the press element.
 - ◆ **DO NOT REMOVE THE TOP COVER UNLESS QUALIFIED TO DO SO** - touching internal parts is dangerous and may cause shock hazard.
-

Safety Tips (cont.)

- ◆ **PROTECT THE MAINS CABLE** - damage to the mains cable may cause fire or shock hazard. When unplugging, hold by the plug only and remove carefully. Take care that the mains cable does not come into contact with the heat plate (or moving parts of the mechanism) during operation of the machine.
- ◆ **OPERATING AMBIENT TEMPERATURE RANGE** - the operating ambient temperature range is 0°C - 35°C, (32°F - 104°F) and humidity of 20 - 80%. This heat press is fitted with a thermal cut out to ensure that it cannot operate above 235°C ± 15°C (455°F ± 27°F).
- ◆ **MACHINE FUSES** - type: (x2) ultra-rapid (FF) fuses 1¼". (230 Vac Max.15 amps Omega Series 1000 Press)
- ◆ **WARNING - THIS APPARATUS MUST BE EARTHED (GROUNDED).**
- ◆ **CAUTION**
This machine gets hot whilst operating. Take care not to touch any surfaces that are labelled "Caution this plate is HOT".
- ◆ **MACHINE OPERATION**
Only suitably trained personnel should operate this machine.

This machine is designed to be operated by one operator only.

If air pressure is lost the machine will operate normally until the air reservoir is empty.

Contact your print media suppliers to ascertain whether fumes are given off during the process, and if so what precautions are needed for operator safety. These may include air extraction and/or masks for personnel.

Please refer to page 14 for an illustration of the Omega Series 1000 Press.

2 Installation

2.1 Transport instructions

The machine comes to you, shrink wrapped, or shrink wrapped in a wooden box, and held in place with foam and banded onto a pallet. If you have to transport the machine at any time it is recommended that you use a similar box and packing methods. Please let the machine cool down, and remove the swing head handle.

2.2 Installing the machine

Take the machine out of the box, due to the weight of the machine we recommend that this be a 4-person task. Put the machine on a sturdy worktable close to a suitable electric socket and compressed air supply connection point within easy reach of the operator. There must be sufficient space for the machine's head to swing to the right and left until it hits the built in stop and back to the pressing position without creating trapping points against adjacent articles. Ensure that no items vulnerable to heat radiation are too close to the machine.

2.3 Electrical requirements

The Omega Series 1000 Press should be connected to the mains supply (nominally 230 V AC for the European Market) a moulded plug is fitted to the cable provided.

The press is designed for 230 volts AC 50/60 hertz and requires exclusive use of a power outlet rated for at least 13 amps (Europe).

Ensure that the supply rating on the machine specification plate corresponds with your local supply and that the correct plug is fitted.

MAINS LEAD

The wires in this mains lead are coloured in accordance with the following code:

230 VAC	{	Green and Yellow:	EARTH
		Blue:	NEUTRAL
		Brown:	LIVE

Electrical requirements (cont.)

Wiring the plug For a 230 VAC machine.

As the colours of the wires in the mains lead of this apparatus may not correspond with the coloured markings identifying the terminals in your plug, proceed as follows:-

1. **The wire**, which is, coloured green and yellow must be connected to the terminal in the plug, which is marked by the letter E, or by the safety earth symbol coloured green, or green and yellow.
2. **The wire** coloured blue must be connected to the terminal, which is marked with the letter N, (Neutral connector)
3. **The wire** coloured brown must be connected to the terminal, which is marked with the letter L, (Live connector)

NOTE: Replacement of the mains cable must be done by a competent service engineer.

2.4 Pneumatic requirements

The Omega Series 1000 Press should be connected through a filter regulator to a compressed air supply capable of delivering 60 litres/min at a pressure of 3.5 - 6 bar max. The press will not operate if the pressure drops below 3.5 bar. Double hose clips should be used on the delivery hose.

We would advise that when setting up the machine you check that sufficient pressure is maintained into the rear regulator valve. When the desired pressure is achieved the regulator is locked by pushing the knob back down. We recommend that this should be set between 4 to 6 Bar. The Pressure Adjustment Gauge on the front of the machine should only be used to control the settings required for heat transfer and garments.

2.5 Adjusting the pressure

This press is fitted with a manually adjustable pneumatic pressure regulator on the left hand side of the front of the machine head. To adjust the operating air pressure, and therefore the pressure exerted by the press on the work, the regulator is unlocked by pulling forward the black plastic knob. Turning the regulator knob clockwise will increase the air pressure; turning anticlockwise will decrease the pressure. When the desired pressure is achieved the regulator is locked by pushing the knob back in.

3. How to Operate the Omega Series 1000 Press

3.1 Starting with the Omega Series 1000 Press

- 3.1.1 Turn on the Omega Series 1000 Press;** the on/off switch is on the front of the swing head. Set the machine controls as necessary. See instructions for adjusting the pressure, **section 2.5**, and the operation of the time temperature unit, **section 5.2**. When the set temperature is steady in the display the machine is ready to use.

3.2 Working with Heat Transfer Materials

- 3.2.1 Ascertain from the supplier** of the transfer paper and/or the suppliers of the material, that the material to be used is suitable and has been prepared for transfer printing.

- 3.2.2 Obtain from the supplier** of the transfer paper, or material to be used, the recommended temperature, time and pressure settings for the material to be worked on.

Approximate settings are usually within the following:-

180°C - 200°C (350°F - 400°F)	Heat Setting
10 - 30 seconds	Time Dwell Setting

- 3.2.3 Wait until the set temperature** has been reached, signalled by the temperature on the controller display becoming steady at the desired figure. Swing the heat plate assembly to the right, or left using the handles on the both sides of the machine. Place the work piece on the pressure pad, removing all wrinkles. Place the transfer in the desired position. Swing the heat plate into the pressing position, to the stop, to 'make' the magnetic switch will enable the machine to cycle.

- 3.2.4 Start the sequence** by pressing the two green buttons simultaneously (within 0.5 seconds). The heat plate automatically drops to the table. (The process can be stopped at any time by using the "EMERGENCY STOP" button on the front of the press. This will automatically lift the heat plate).

- 3.2.5 At the end of the set time**, the heat plate lifts to the loading position, allowing the head to be swung aside to permit unloading.

3.3 Pressing Pad Assembly

The pressing pads supplied with this machine are silicone rubber. The pressing pads must be maintained in good condition at all times and replaced when showing signs of wear. A worn pressing pad will always affect the quality of printing/fusing. Do not insert items into the machine, which would tend to cut the pressing pad, i.e. buttons, pins, press-studs or zips.

IMPORTANT NOTE:

The pressing pad supplied with the machine is of the correct thickness. Using a thicker pad may invalidate your warranty.

3.4 Shutting Down

To shut down the machine when a cycle is finished, turn off the green illuminated rocker switch on the front of the machine head.

To temporarily interrupt the cycle, press the mode release button once.

To shut down in an emergency, press the red button on the front of the machine head. If the emergency stop button is actuated, it will need to be unlocked by turning it anticlockwise before the machine will run again.

3.5 Fault Diagnosis

This Omega Series 1000 Press has built in fault diagnosis. The display may show the following:

1. Heat Fault

If the element of the heat press, or the thermal cut-out go open circuit, after approximately 20 minutes the display will show "Heat Fault". If this display is seen, contact your machine supplier immediately.

2. Probe Fault

If the probe goes open circuit, the display will show "Probe Fault" immediately. Contact your machine supplier immediately.

3. "CAL" Fault

If "CAL" appears in the controller display the controller will need to be recalibrated. Switch off the machine and contact your supplier for an instruction sheet.

Fault Diagnosis (cont.)

CAUTION

In all fault conditions switch off the power to the machine and unplug the machine from the electrical supply before contacting your machine supplier.

3.6 Hints and Tips

Transfer Printing

Extra care should always be taken to ensure that transfer paper is placed print down onto the article, as mistakes will result in the heat plate becoming soiled with ink and spoiling following work.

When transfer printing, it may be found advantageous to cover the press pad with paper or P.T.F.E. to prevent strike-through of surplus ink, particularly when printing thin material as surplus print on the pressing pad cover can also strike back on the following work.

Transfer Paper/Motifs Fail to Print Out Correctly

Check:-

1. **Heat and time** dwell settings are correct.
2. **Article** having transfers applied is locked in contact between pressing pad and heat plate.
3. **Pressing pad** is in good condition, is flat and making complete contact over the whole area of the heat plate. See Pressing Pad details.

“Ghosting” (Double Image) of Transfer Prints

Check:-

1. **Material being used** has been correctly heat set for transfer printing.
 2. **Material being used** does not shrink during printing process, i.e. measure material before and after printing.
 3. **Transfer paper** does not move after printing process upon lift off of the heat plate.
 4. **If possible**, use adhesive coated paper, particularly to overcome fabric shrinkage.
 5. **By pre-shrinking** of material in press before transfer printing.
-

3.7 Heat Plate Temperature Measurement

Testing of the Heat Plate for temperature consistency or fault condition should only be undertaken after consulting Charterhouse Holdings PLC, and then only using a wired Digital Thermometer (*please see note below).



***Please Note:**

The Digital Thermometer with external probe is suitable for surface, air and immersion/penetration measurement, which is required for all Adkins heat presses.

Laser Thermometers only measure air surfaces which can be misleading due to currents of hot air floating on the surface of the heat plate.

4. Maintenance of the Machine

4.1 Daily Maintenance

For good press results it is important to keep the press surfaces clean. Wipe the surface of the heat plate with a dry non-abrasive cloth before use when the plate is cold.

When heat plates are hot and not in use, keep in the open position away from the silicone pad.

4.2 Periodic Maintenance

Periodically clean the Teflon® coated heat platen with a non-abrasive piece of cloth. Stubborn stains may be cleaned, *when platen is cool*, with mineral spirits.

4.3 General Maintenance

The following checks should be carried out at regular intervals by a qualified and competent person:-

- Pneumatic system for air leaks
- Pneumatic system for lubrication
- Electrical connections
- Belt tension and condition
- Mechanical moving parts

Any enquiries to: enquiries@aadkins.com

4.4 Cleaning

First unplug the machine. Clean the outside of the machine frequently with a clean, moist cloth. This may conveniently be carried out when the machine is cold.

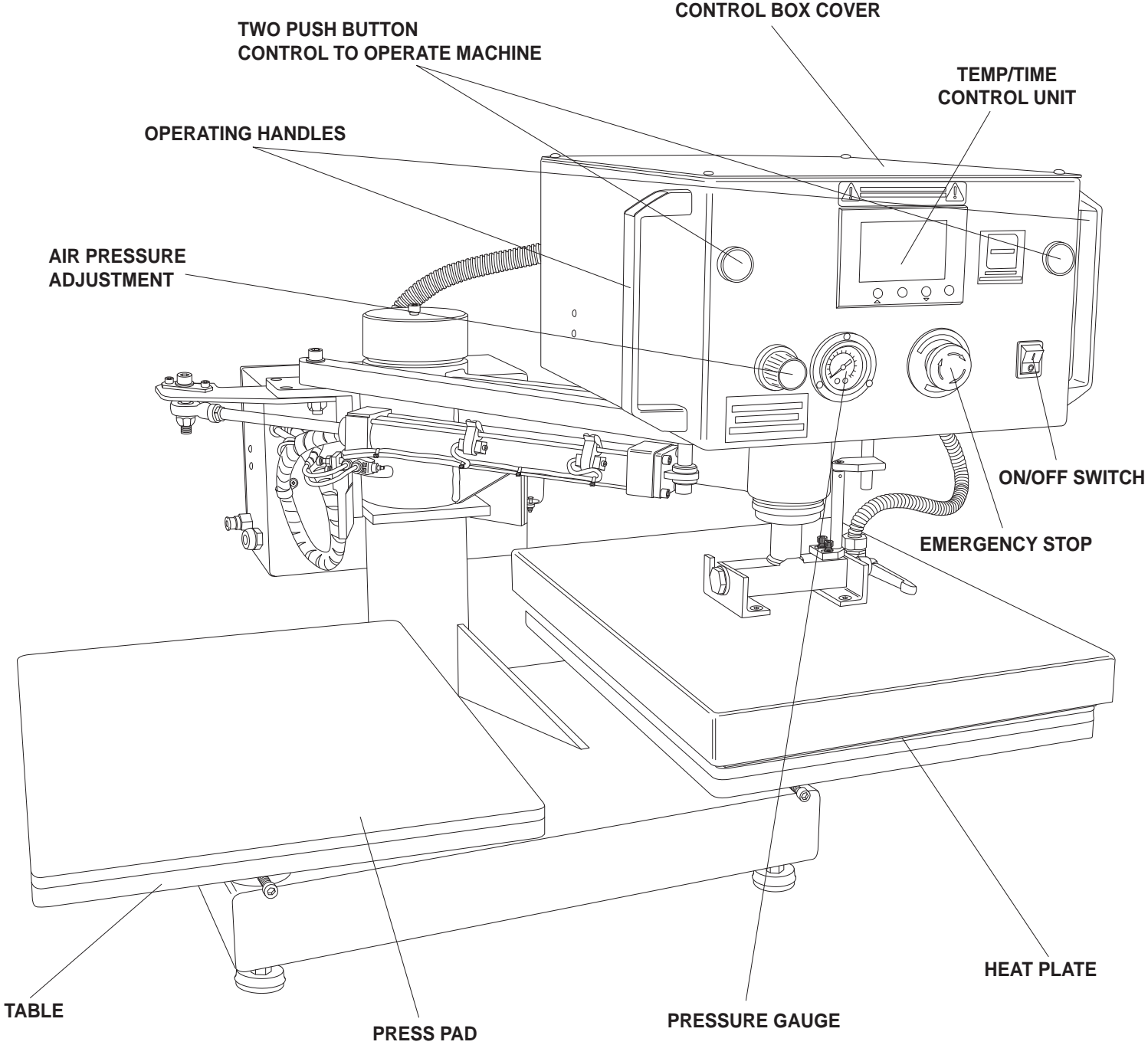
To prevent soiling of substrate, periodic wiping of entire exterior machine, including platens, with a clean rag is recommended. If necessary, use mineral spirits for cleaning a *cold* machine. Since mineral spirits are flammable, use precautions at all times and keep away from sparks, flames or hot heat platen.

5. Machine Drawings and Diagrams

On the following pages are the schematic diagrams for the Omega Series 1000 Press.

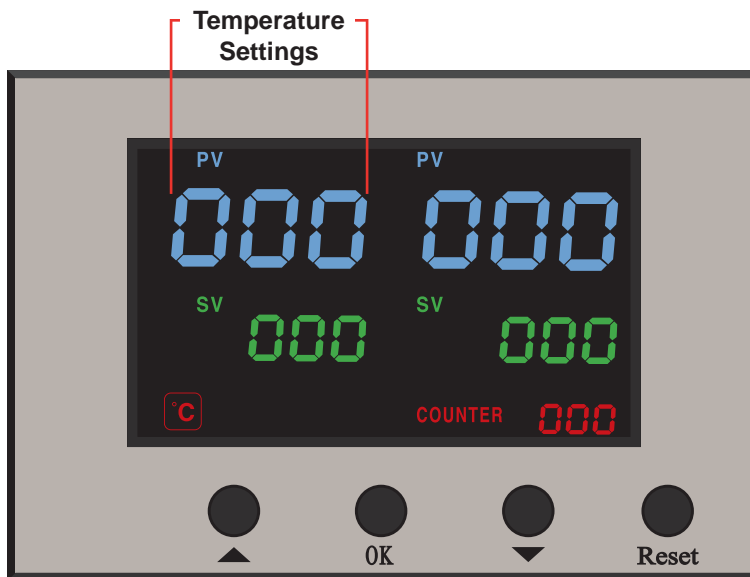
- 5.1 General Layout.....Page 14**
- 5.2 Control Unit – Operation.....Page 15**
- 5.3 Exploded Diagram and Parts List.....Page 16**
- 5.4 Machine - Electrical Diagram.....Page 17**
- 5.5 Pneumatic Schematic.....Page 18**

5.1 General Layout



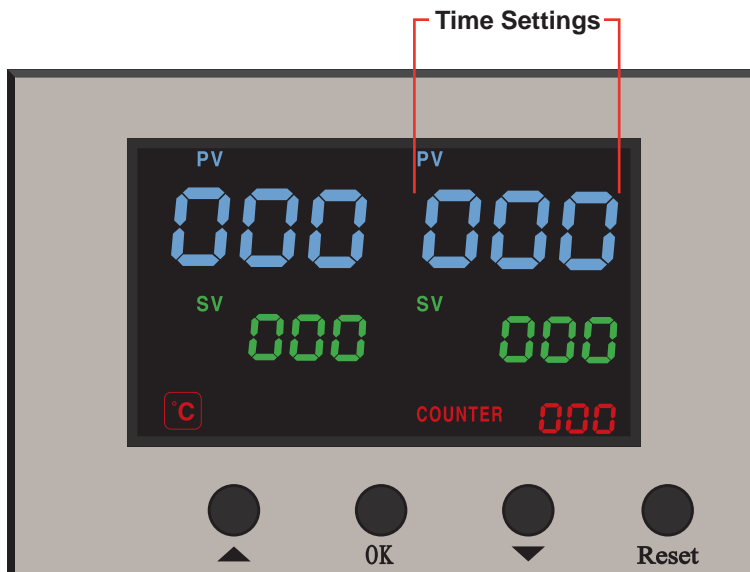
5.2 Operation Of Control Unit, Setting Time and Temperature

(The Heat Plate must always be in the down position before the Controller is set)



Setting Temperature

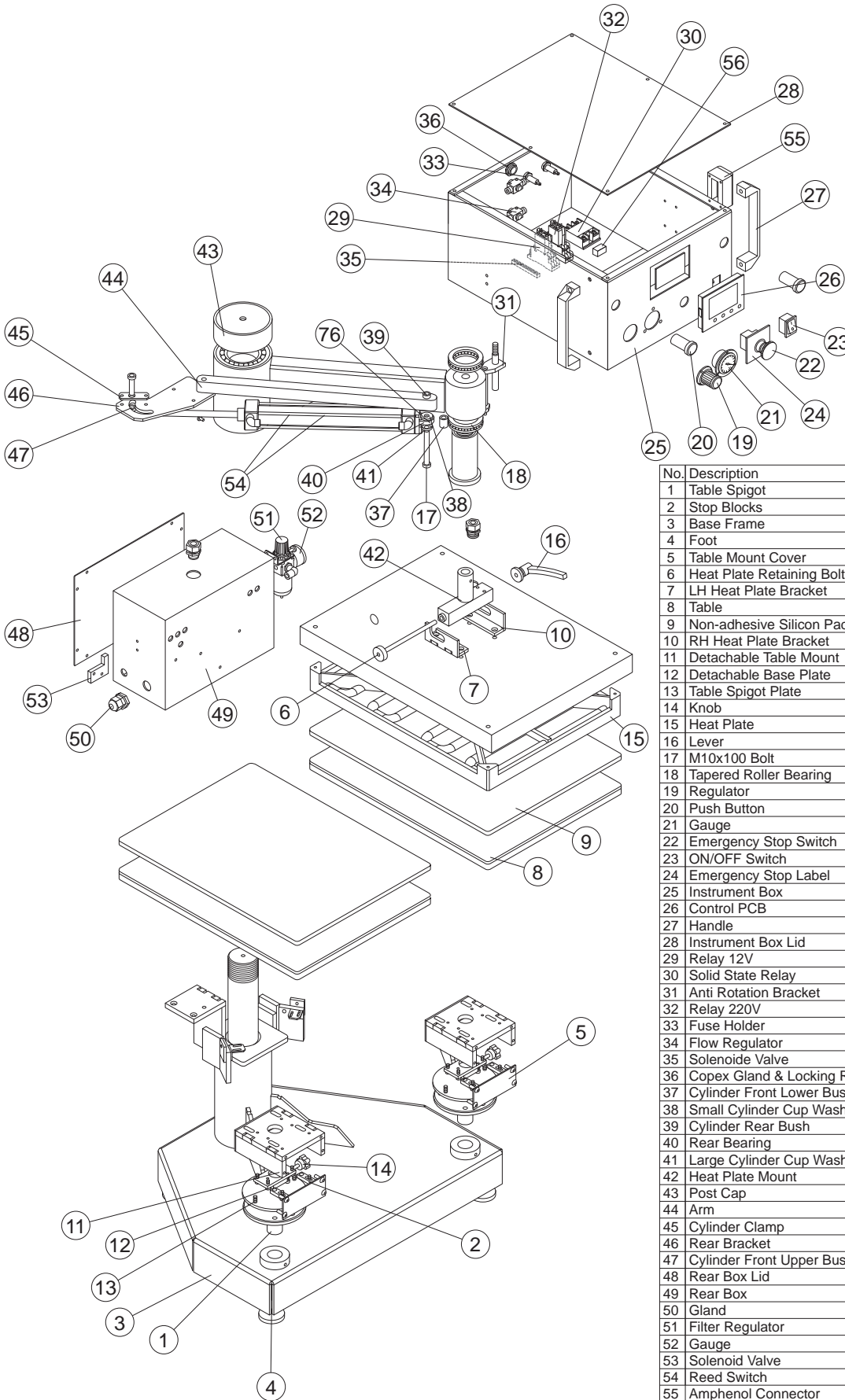
1. Switch on machine.
2. Press the 'OK' button to enter the temperature setting mode (the '°C' light will flash).
3. Using the '▼' or '▲' buttons select between '°C' or '°F'.
4. Press the 'OK' button twice to enter the temperature setting mode (the temperature settings digits and 'SV' will flash).
5. Use the '▼' or '▲' buttons to select the temperature required for the transfer material being used.
6. Press the 'OK' button to turn the 'SV' light and temperature settings digits off.



Setting Time

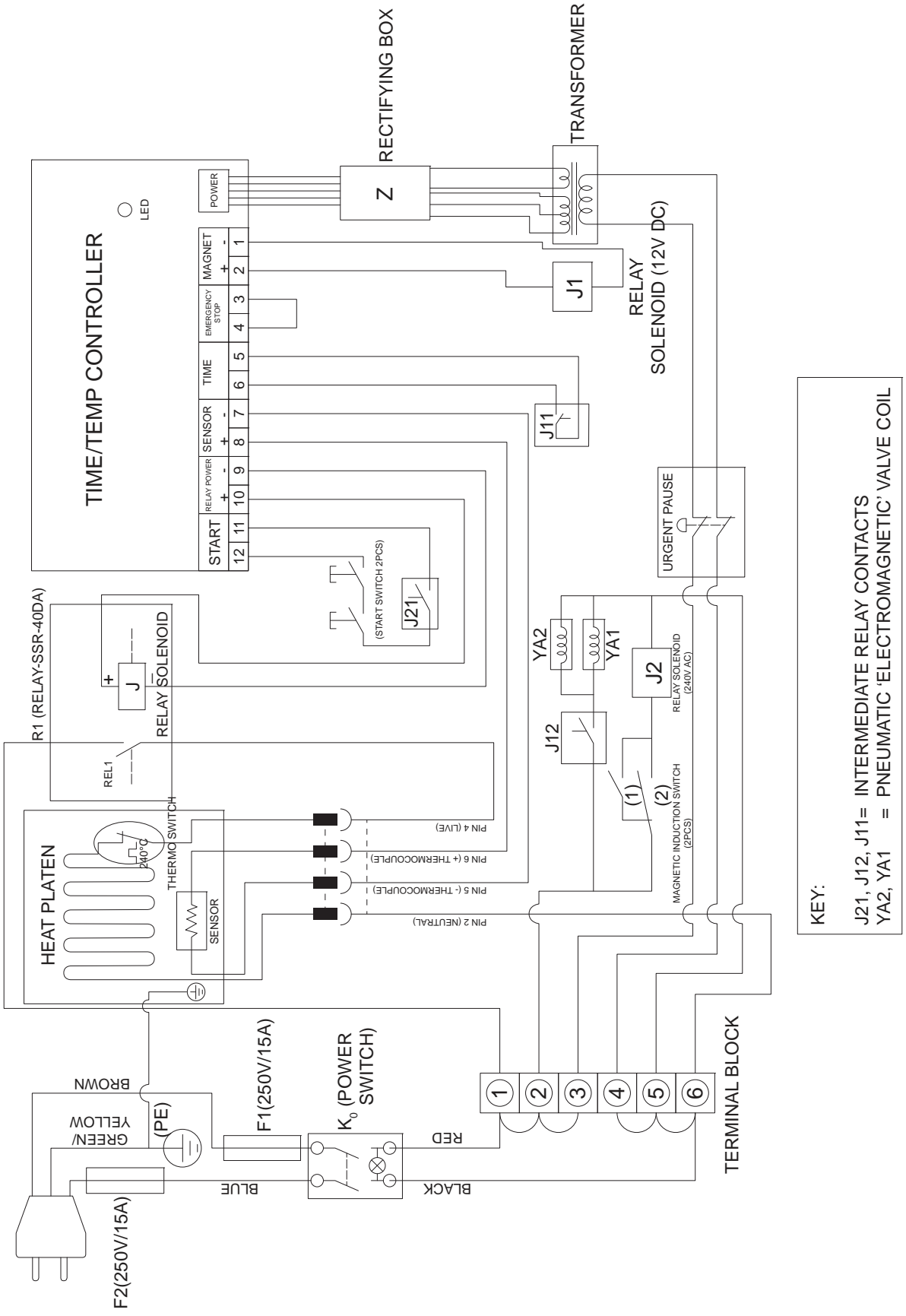
1. Press the 'OK' button three times to enter the time setting mode (the 'SV' and time settings lights will flash).
2. Use the '▼' or '▲' buttons to select the time required for the transfer material being used.
3. Press the 'OK' button to turn the 'SV' and time settings lights off.
4. The digital display will now show the rising temperature until the set heat is achieved. At this point a buzzer will sound to indicate that the machine has reached the set operating temperature and is ready to use.
5. **To reset the counter to zero press and hold 'Reset' button for 5 seconds.**

5.3 Exploded Diagram and Parts List

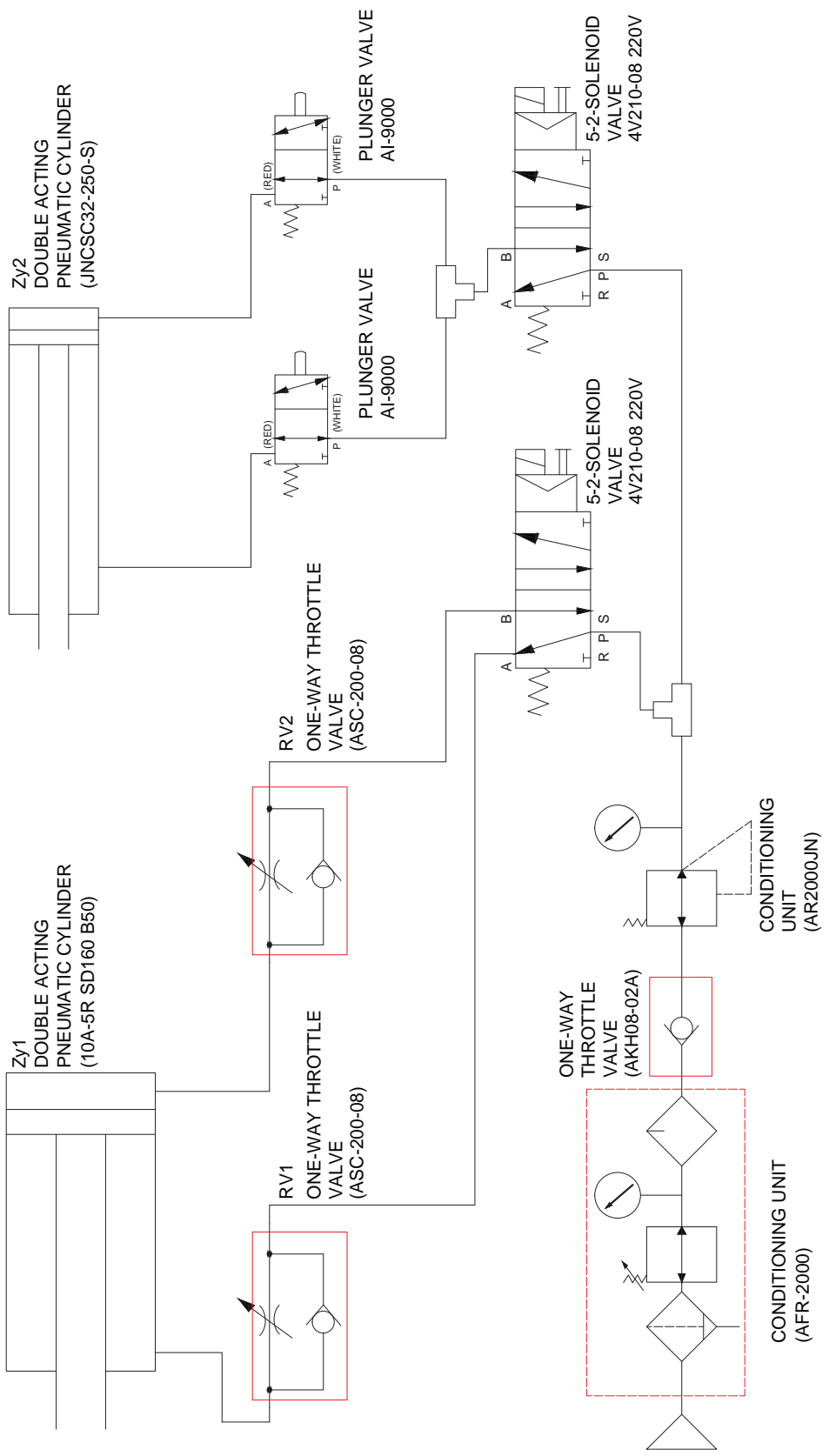


No.	Description	Qty.	Part No.
1	Table Spigot	2	OMC015/A
2	Stop Blocks	4	BMC612
3	Base Frame	1	OMC003
4	Foot	4	OMC034
5	Table Mount Cover	2	OMC075
6	Heat Plate Retaining Bolt	1	OMC022
7	LH Heat Plate Bracket	1	OMC024
8	Table	2	BMC017
9	Non-adhesive Silicon Pad (38 x 50cm)	2	BMC341
10	RH Heat Plate Bracket	1	OMC025
11	Detachable Table Mount	2	OMC074
12	Detachable Base Plate	2	BMC613
13	Table Spigot Plate	2	OMC073
14	Knob	2	BMC506
15	Heat Plate	1	OMC460
16	Lever	1	OMC033
17	M10x100 Bolt	1	M10x100/B
18	Tapered Roller Bearing	2	OMC038
19	Regulator	1	AME352U/A
20	Push Button	2	AME311
21	Gauge	1	AME352U/C
22	Emergency Stop Switch	1	AMC340
23	ON/OFF Switch	1	BMC448
24	Emergency Stop Label	1	AM325
25	Instrument Box	1	OMC001
26	Control PCB	1	OMC750/35
27	Handle	2	OMC026
28	Instrument Box Lid	1	OMC002
29	Relay 12V	1	RELAY/24V
30	Solid State Relay	1	ACL50/SSR
31	Anti Rotation Bracket	1	OMC028
32	Relay 220V	1	RELAY/240V
33	Fuse Holder	2	BMC468
34	Flow Regulator	2	OMC043
35	Solenoid Valve	1	OMC044
36	Copex Gland & Locking Ring	1	OMC070
37	Cylinder Front Lower Bush	1	OMC059
38	Small Cylinder Cup Washer	1	OMC061
39	Cylinder Rear Bush	1	OMC058
40	Rear Bearing	1	OMC067/B
41	Large Cylinder Cup Washer	1	OMC062
42	Heat Plate Mount	1	OMC027
43	Post Cap	1	OMC005
44	Arm	1	OMC030
45	Cylinder Clamp	1	OMC055
46	Rear Bracket	1	OMC056
47	Cylinder Front Upper Bush	1	OMC060
48	Rear Box Lid	1	OMC018
49	Rear Box	1	OMC017
50	Gland	1	AMC307
51	Filter Regulator	1	OMC039
52	Gauge	1	OMC039/PG
53	Solenoid Valve	1	OMC044
54	Reed Switch	2	OMC068
55	Amphenol Connector	1	OMC041
56	Transformer	1	OMC750/29/06

5.4 Electrical Diagram



5.5 Pneumatic Schematic



6. Design Change

With the policy of constant improvement and/or modification to meet changing conditions, the right is reserved to change the design and/or specifications at any time without prior notification, and therefore specifications may vary and not be in accordance with this manual.

7. Guarantee (Limited Warranty)

Charterhouse Holdings PLC warrants that the press is free from defects in material and workmanship for a period of 12 months from the date of supply. The machine comes with a 12 month warranty on the heating element and parts and 90 days for labour.

This guarantee will only be effective when Charterhouse Holdings PLC authorises the original purchaser to return the machine to the factory, and only when the product upon examination has proven to be defective.

Should in our opinion any part of this press be defective in materials or workmanship, it will be replaced or repaired free of charge, provided that the press has been installed and operated in the correct manner and not subjected to misuse. (This is excluding any travelling and/or carriage costs which will be charged at our discretion.)

This guarantee does not apply to any machine that has been subjected to misuse, negligence, alteration or accident.

A charge will be made for any costs incurred if a reported fault on the press is found to be due to incorrect installation, operation and/or incorrect materials being used. It is the responsibility of the press user to ensure the suitability of the materials operating through the press.

In order for this guarantee to be effective, no return of machine or parts may be made without prior factory authorisation.

No claim of any kind shall be greater in amount than the sale price of the product or part to which the claim is made.



This is the sole guarantee given by the company, it is in lieu of any other guarantees, expressed or implied, in law or in fact, including the guarantees of merchantability and fitness for particular use, and is accepted as such by the purchaser in taking delivery of this product.

Charterhouse Holdings PLC shall not be liable for any injury, loss or damage, direct or consequential, arising out of the use or the inability to use the product.



HEAT PRESS TECHNOLOGY

A. ADKINS AND SONS LIMITED DECLARATION OF CONFORMITY

Application of Council Directives:	European Low Voltage Directive (LVD), European Machinery Directive (MD), Electro Magnetic Conformity (EMC)
Standards to which Conformity is Declared:	(LVD): <u>EN 60204-1:2018</u> (MD): <u>EN ISO 12100:2010 2006/42/EC Annex1</u> (EMC): <u>EN 61000-6-2:2019</u>
Manufacturer's Name:	<u>Charterhouse Holdings Plc</u>
Manufacturer's Address:	Oakridge Park, Trent Lane, Castle Donington, Derby DE74 2PY United Kingdom.
Type of Equipment:	Omega Series 1000 Heat Press
Standards Compliance:	 
Model Number:	<u>OMC1000</u>
Serial Number:
Year of Manufacture:

I, the undersigned, hereby declare that the equipment specified above conforms to the above directives and standards.

Place: Castle Donington, United Kingdom

Signature: *M. S. Carter*

Date: 15th June 2023

Full Name: Miles Carter
Position: Chief Executive